



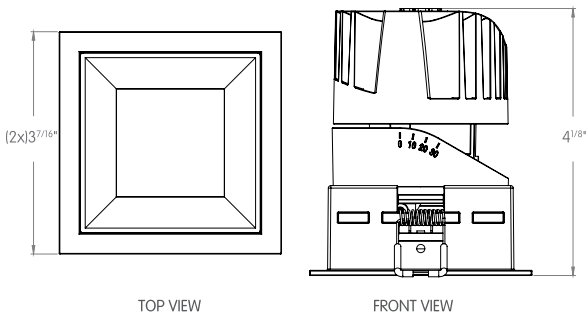
Spec-grade performance LED downlights. Optimal for hospitality, commercial, high-end residential and corporate projects.

The Chameleon S3 downlights offer a high output, precise optics, a wide range of mounting options, reflector finishes, and optical accessories.

- Up to 1,000lm delivered output
- Trim, trimless and millwork mounting options
- High CRI, up to +97 CRI, available upon request
- Dim-to-Warm capability 3000K to 1800K
- Tunable White capability 2700K to 5000K
- Gear driven tilt 0° to 30° and 360° lockable rotation
- Zoomable Lens from 15° to 50°
- 5 years limited warranty
- Wide range of trims and reflector finishes

HOUSING SPECS ▼

Code example: **C3-L10R9**



Series	Output	Voltage	Control	Housing	Emergency
C3	L ¹ 9W (450lm)	1 120V	0 Non-Dim	R Remodel	N No
	M ¹ 11W (510lm)	U ⁴ Universal 120V to 277V	1 0-10 to 1%	N Non-IC	9 90 mins
	H ¹ 13W (600lm)		2 0-10 fade-off	I ⁵ IC	
	R ² 10W (540lm)	D Dali	A ⁵ Airtight		
	T ³ 4.5W (230lm)	P Phase ELV & Triac	O No Housing		
		L Lutron			
		X DMX			

MODULES SPECS ▼

Code example: **C3-S0-ZW-WW-Z927-0**

Mounting	Trim Color	Ref. Color	IP Rating	Optics Type	LED CRI	LED CCT	Accessories (Primary)	Accessories (Secondary)
C3	S0 Square Trimless	Z W White	W Flat White	D Dry	Z 15°-50°	9 90	0 No Accessories	N No Accessories
	S1 Square Trim	B Black	B Flat Black	W Wet		H Thrive	C Clear Lens	T Clear Lens
	S2 Square Trim with Constant Force Spring	S Grey	N Black Nickel				D⁷ Diffuse lens	L Diffuse lens
	S3 Square Millwork	X Custom	C Specular Chrome				E⁸ Elliptical Lens	F Solite Lens
		D Diffuse Chrome				WD 3000K - 1800K	H Honeycomb Lens	
		G Bright Gold				TW⁶ 2700K - 5000K	S Solite Lens	
		E Diffuse Gold				CC RGBW	M Mixing	

Notes:

- ¹ Denotes output at 3000K, unless otherwise noted.
- ² Denotes output specific to Dim-to-Warm at 3000K.
- ³ Denotes output specific to Tunable White at full on.
- ⁴ Denotes output at White, 3000K.
- ⁵ Chicago Plenum rated.
- ⁶ Tunable White available in 0-10V, DMX and DALI.
- ⁷ Diffuse lenses available in different angles.
- ⁸ Elliptical lenses available in different angles.

Consult factory for lead-times.
Bold Lighting reserves the right to make technical changes without notice.

For more info about the placement of the accessories, please consult the schematic on P4

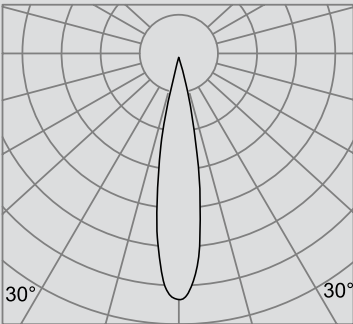


OPTICAL FLEXIBILITY

Photometric data: Type C Polar Curves

Zoomable Distribution 15° - 50°

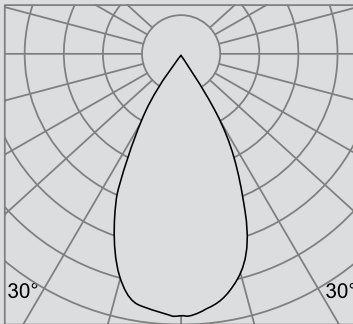
15°



Max. 6,425cd

1,000lm

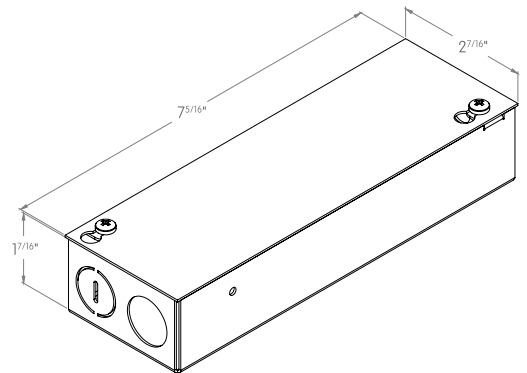
50°



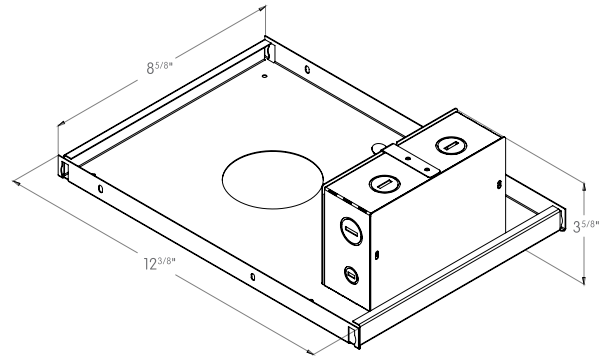
Max. 1,385cd

1,000lm

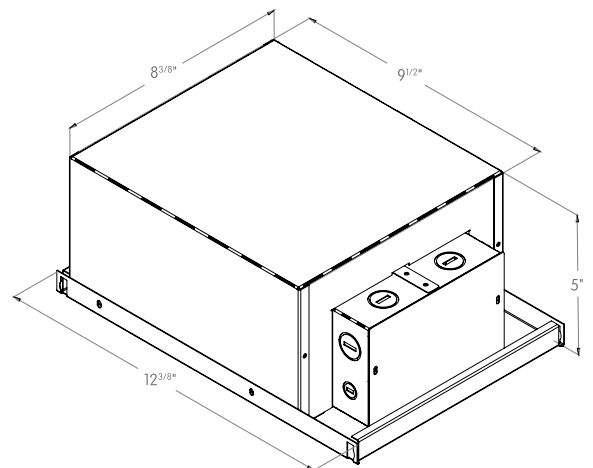
REMODEL HOUSING



NON-IC HOUSING



IC HOUSING & AIRTIGHT




CCC Certified to GB7000

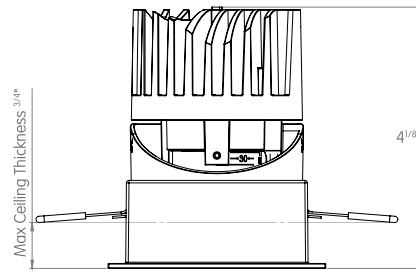


JA8 Certified to Title 24 standards

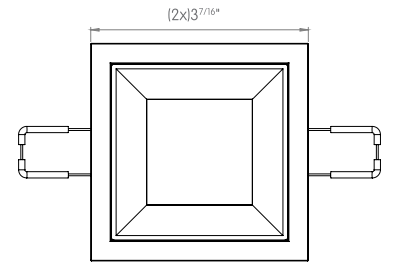
MOUNTING FLEXIBILITY

TRIM TORSION SPRINGS

 3x3"




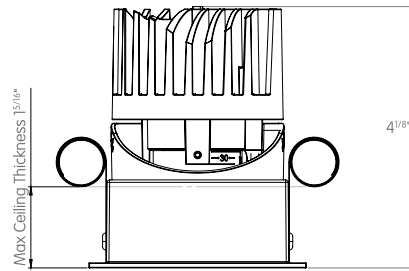
FRONT VIEW



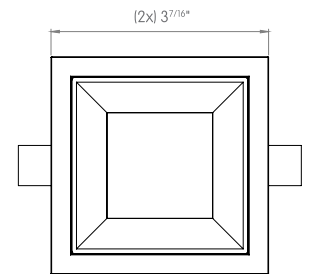
TOP VIEW

TRIM CONSTANT FORCE SPRINGS

 3x3"




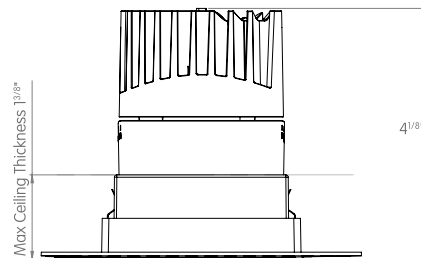
FRONT VIEW



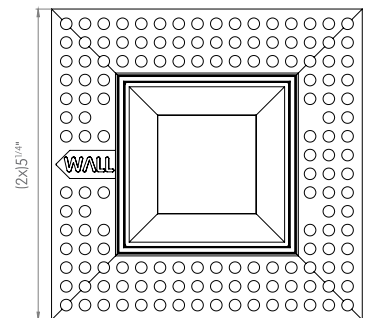
TOP VIEW

TRIMLESS

 3 1/2" x 3 1/2"




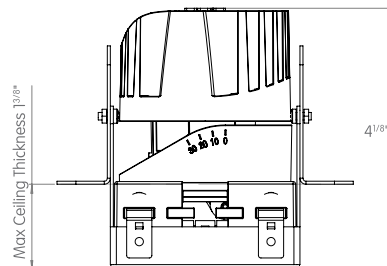
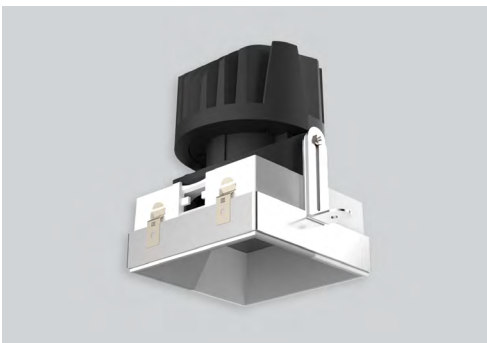
FRONT VIEW



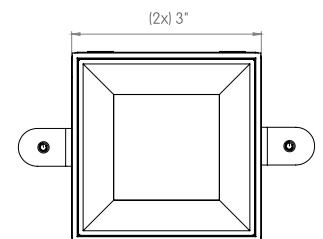
TOP VIEW

MILLWORK

 3x3"



FRONT VIEW



TOP VIEW



CCC Certified to GB7000

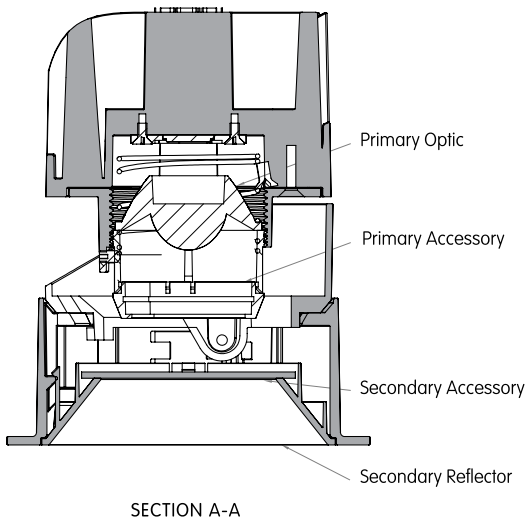


JA8 Certified to Title 24 standards

DELIVERED LUMEN OUTPUT

Output		Watts	CRI +90		
STATIC-WHITE			2700K	3000K	4000K
L	9W		420lm	450lm	540lm
M	11W		480lm	510lm	660lm
H	13.3W		570lm	600lm	750lm
DIM-TO-WARM 3000K-1800K			3000K		
R	10W		540lm		
TUNABLE WHITE 2700K-6500K			2700K		6500K
T	4.5W		180lm		230lm

ACCESSORIES SCHEMATIC



CCC Certified
to GB7000



JA8 Certified
to Title 24
standards

Bold Lighting
4710 Ecton Dr., Marietta, GA 30066, USA
info@boldlighting.us www.boldlighting.us t: +1-678-903-4061